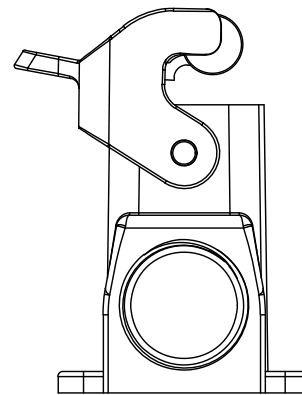
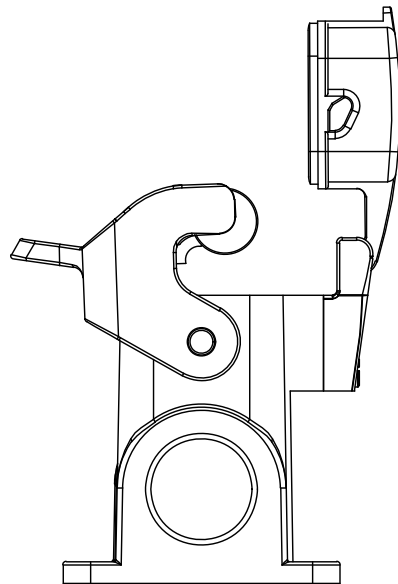
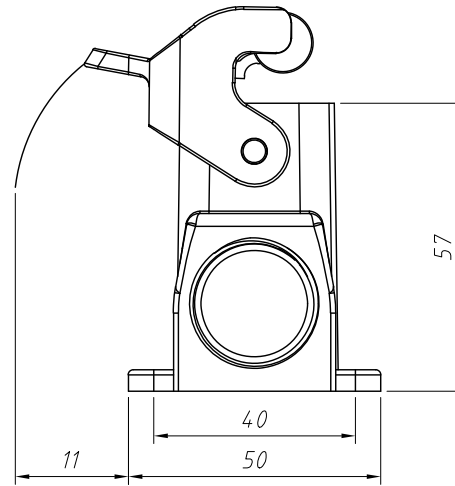
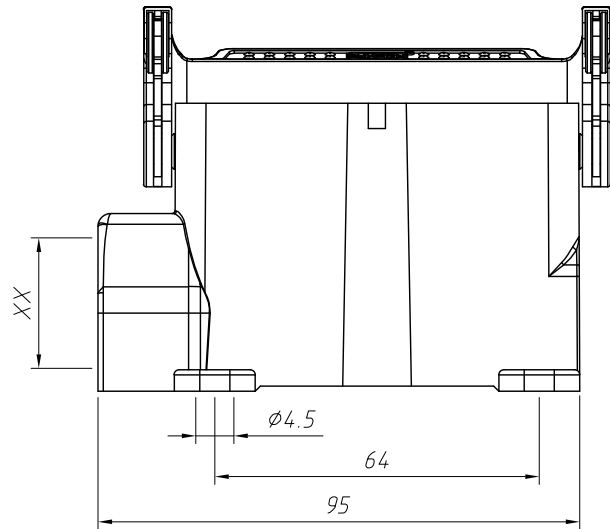


RoHS Compliance

REV	SYM	Revision Record	Appr.	Date
V0	KLS01695	New Version Release	WuHao	2025-06-26



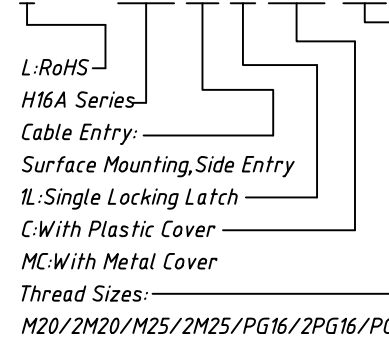
Without cover

With Metal / Plastic cover

Material:  
 Housing: Aluminium Die-Cast, UL 94 V-0  
 Surface: Powder-Coated  
 Colour: RAL 7037 (Grey)  
 Temperatures range: -40°C ~ +125°C  
 Degree of protection: IP65  
 (Acc. to IEC 60529 for coupled Connector)  
 Locking Element:  
 Locking Type: Single Locking Latch  
 Material: Stainless Steel + TPR  
 Cable Entry: Side Entry  
 No. of Cable Entries: 1/2

Order Information:

L-KLS1-H16A-SF-1L (XX) -XX



ITEM	Describe
L-KLS1-H16A-SF-1L-XX	Without cover
L-KLS1-H16A-SF-1LC-XX	With Plastic cover
L-KLS1-H16A-SF-1LMC-XX	With Metal cover

ANGLE TOLERANCE	PROJECTION	Description:	Heavy Duty Connectors
±3°			Surface Mounting, Side Entry, H16A Series Hoods
GENERAL TOLERANCE	UNITS	mm	KLS P/N: L-KLS1-H16A-SF-1L (XX)-XX
x.x ±0.30	SHEET SIZE	A4	
x.xx ±0.20	Draw:	WuHao	2025-06-26
x.xxx ±0.10	Check:	Daniel	2025-06-26



NingBo KLS ELECTRONIC CO.,LTD.